

Embedded Systems

VIA

vmc vm7700

Ultra-slim VESA Mount
Embedded System



Features

- VIA UniChrome™ Pro II 3D/2D AGP graphics with MPEG-2/4 and WMV9 decoding acceleration
- Supports Gigabit Ethernet and optional Wireless LAN 802.11b/g
- Supports DVI-I, VGA and S-Video (Dual View supported)
- Supports one COM port
- Supports four USB 2.0
- VESA mount design
- Completely fanless



Specifications

Model Name	vmc vm7700-C10	vmc vm7700-E16
Processor	1.0GHz VIA C7®	1.6GHz VIA Eden™ ULV
Chipset	VIA CX700M2 Unified Digital Media IGP chipset	
System Memory	1 x DDR2 533 SODIMM socket Up to 1GB memory size	
VGA	VIA UniChrome™ Pro II 3D/2D AGP graphics with MPEG-2/4 and WMV9 decoding acceleration	
Network	VIA VT6122 Gigabit Ethernet	
Storage	1 x 2.5" HDD bay	
Onboard Audio	VIA VT1708A High Definition Audio Codec	
System I/O	1 x 15-pin D-Sub connector for VGA (default display) 1 x S-Video connector 1 x DVI-I connector 1 x 9-pin D-Sub connector for RS232 4 x USB connectors 3 x Audio jacks: Line-out, Line-in and Mic-in 1 x RJ11 (for optional IR function) 1 x DC 12V connector 1 x PS2 mouse port 1 x PS2 keyboard port 1 x RJ45 connector for Gigabit Ethernet 1 x Antenna hole (for optional WLAN module) 1 x Power button 1 x Reset button	
LED Indicators	1 x System power-on 1 x HDD active 1 x IR Rx/Tx 1 x System stand-by	
Operating Temperature	0°C - 45°C	
Operating Humidity	0% ~ 90% (relative humidity; non-condensing)	
Power supply	AC input: 100~240Vac Auto-range DC output: 12V/5A	
System Monitoring & Management	Watch Dog Timer, Wake-on LAN, Keyboard Power-on, Timer Power-on ACPI supported, AC power failure recovery	
Operating System	Windows 2000/XP, Linux, Win CE, XPe	
BIOS	Award BIOS 4/8Mbit flash memory	
Certification	CE & FCC	
Dimension	18 cm (W) x 29.8 cm (L) x 2.7 cm (H)	
Weight	2 kg	
VESA Specification	10 cm x 10 cm	

System I/O



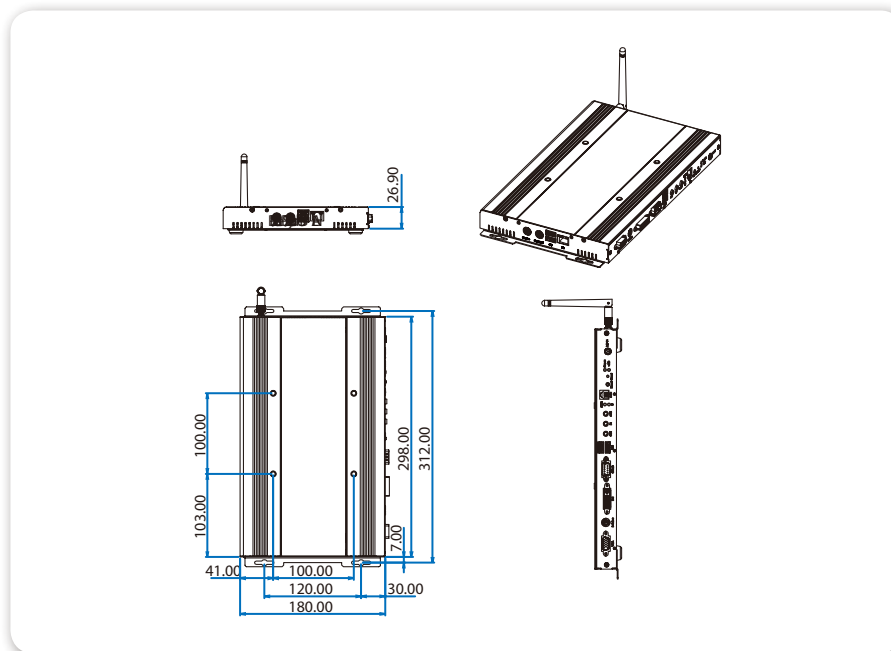
Ordering Information

Model Name	CPU Frequency	Description
vmopc vm7700-C10	1.0GHz C7®	VESA Mounting Compliant Embedded System with 1.0GHz C7®, COM, USB, DVI-I, VGA, S-video, GigaLAN
vmopc vm7700-E16	1.6GHz Eden™ ULV	VESA Mounting Compliant Embedded System with 1.6GHz Eden™ ULV, COM, USB, DVI-I, VGA, S-video, GigaLAN

Optional Items

Item	Description
Wireless LAN kit (P/N: EMIO-1530-00A1)	802.11 b/g Wireless LAN USB module for USA
Wireless LAN kit (P/N: EMIO-1530-10A1)	802.11 b/g Wireless LAN USB module for Europe
Remote control kit	1 x IR Receiver with RJ11 Interface and 1 x Remote Controller

Dimensions



Packing List

1 x Driver CD
1 x Power cord
1 x 60W AC adapter
1 x Wall mount kit
4 x MIS-D screw
1 x Wireless antenna (optional)
1 x HDD bracket set
4 x HDD screws
4 x Screws for HDD bracket set