

eBOX639-836-FL

Fanless Embedded System with Intel® Atom™ N270 1.6 GHz Processor, Intel® 945GSE+ICH7M Chipset and 2 PCI Slots

Industrial & Embedded Computers

New



Front view



Rear view

Specifications

Standard Color	Silver
Construction	Aluminum extrusion and heavy-duty steel
CPU	Intel® Atom™ processor
System Memory	2 x 200-pin DDR2 DIMM max. up to 2GB
Chipset	Intel® 945GSE+ICH7M
BIOS	AMI 8Mbit with RPL/PXE LAN boot ROM
System I/O Outlet	1 x RS-232/422/485 (COM 1) 5 x RS-232 (COM 2-6, COM 4-6 through 26-pin high density connector) 1 x VGA 1 x Audio (Mic-in/Line-out) 1 x PS/2 keyboard 1 x PS/2 mouse 2 x 10/100/1000Mbps Ethernet 6 x USB 2.0 1 x Vdc power input connector (DC version) 1 x screw lock adapter connector (AC version)
Watchdog Timer	255 levels, 0~255 sec.
Storage	1 x 2.5" SATA HDD drive bay 1 x USB DiskOnModule
Expansion Interface	2 x 32bit/33MHz PCI slot, support max. length of 200mm of PCB boards expansion
System Indicator	1 x green LED for system power-on 1 x orange LED for HDD active
Power Supply	DC ATX 107W Input: 16~28VDC (VDC ^o DC-n~O ^o p;r) Output: +3.3Vdc@6A, +5Vdc@9A, +12Vdc@3A, -12V@0.1A, +5Vsb@1A,
Operating Temperature	-10°C~55°C (14°F~131°F) (with 1.6 GHz CPU, W.T. HDD, DC 19V)
Storage Temperature	-20°C~80°C (-4°F~176°F)
Humidity	10%~90% , non-condensing
Vibration Endurance	1Grms w/ HDD (5-500Hz, X, Y, Z directions)
Dimensions	182mm (7.17") (W) x 230mm (9.06") (D) x 130.8mm (5.15") (H)
Weight (net/gross)	4.1 kg (9.04 lb)/4.8 kg (10.58 lb)
Certification	CE
EOS Support	XPE, WinCE, Linux

*W.T.: Wide Temperature. All W.T. supported products have to be sorted by AXIOMTEK.

**XPE: Windows® XP Embedded

Features



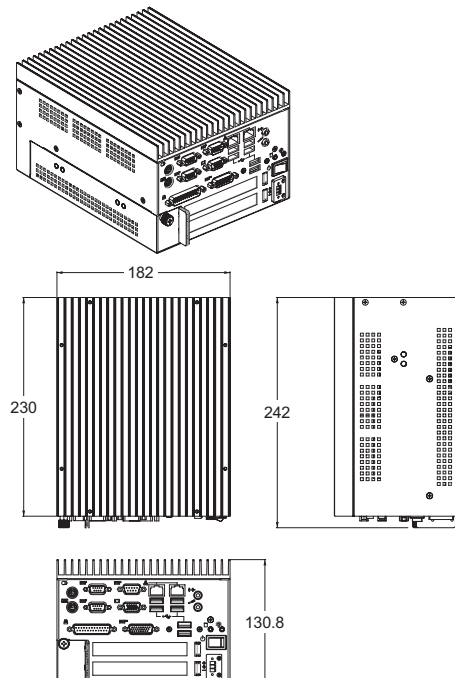
- ▶ Supports Intel® Atom™ N270 1.6 GHz processor onboard
- ▶ Intel® 945GSE+ICH7M chipset
- ▶ Fanless operation design with full feature I/O
- ▶ Supports two 32bit/33MHz PCI slots
- ▶ High performance DDR2 DIMM max. up to 2GB
- ▶ One 2.5" SATA drive bay
- ▶ Watchdog Timer
- ▶ ATX 107W 12V~30V DC-in power supply, optional with AC-to-DC Adapter
- ▶ Optional wall mount bracket

Ordering Information

Standard	
eBOX639-836-FL 1.6G DC	Fanless embedded system with Intel® Atom™ N270 1.6 GHz processor and DC-in ATX 107W PSU
eBOX639-836-FL 1.6G AC	Fanless embedded system with Intel® Atom™ N270 1.6 GHz processor and 90W AC adapter
Optional	
2.5" HDD	40GB, 80GB, 120GB
DDR2 DIMM	512MB, 1GB
90W AC-DC power adapter	
Wall mount bracket	

*Specifications and certifications are limited to optional.

Dimensions



* All specifications and photos are subject to change without notice.

0

Embedded Systems

Embedded MicroBoxes

Industrial Barebone Systems

Industrial Chassis

Industrial Workstations

Backplanes

Power Supplies

Peripherals & Accessories