

## Embedded Systems

NEW

# VIA VIPRO VP7710

Fanless Panel PC with 10.4"  
TFT LCD and Touch Screen

## Features

- Fanless and ultra low power consumption
- Built-in 1.6 GHz VIA Eden™ ULV or 1.0 GHz VIA C7® processor
- 10.4" TFT LCD panel with touch screen
- Integrated VIA UniChrome™ Pro II 3D/2D AGP graphics with MPEG-2/4 and WMV9 video decoding acceleration
- Supports Gigabit Ethernet, with optional Wireless LAN 802.11b/g
- IP65 compliant front panel protects against water and dust

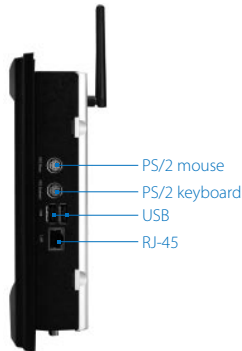


## Specifications

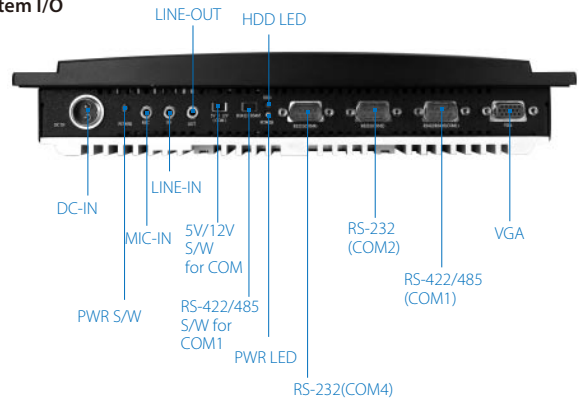
Part Number		VP-7710-R1E16A1	VP-7710-R1C10A1
<b>Computing System</b>	<b>Processor</b>	1.6 GHz VIA Eden™ ULV	1.0 GHz VIA C7®
	<b>Front Side Bus</b>	800 MHz	400 MHz
	<b>L2 Cache</b>	128 KB	128 KB
	<b>Chipset</b>	VIA CX700M2 Unified Digital IGP chipset	
	<b>BIOS</b>	Award 4 MBit Flash BIOS	
	<b>System Power Management</b>	Timer Power-on, ACPI supported	
<b>Memory</b>	<b>Technology</b>	1 x DDR2 533 200-pin SDRAM SODIMM socket	
	<b>Max. Capacity</b>	Up to 1 GB	
<b>Graphic</b>	<b>Controller</b>	Integrated VIA UniChrome™ Pro II 3D/2D AGP graphics with MPEG-2/4 and WMV9 video decoding acceleration	
	<b>Display Memory</b>	Optimized shared memory architecture, supports up to 128 MB frame buffer using system memory	
<b>LCD Display</b>	<b>LCD Type</b>	10.4" Color TFT LCD panel	
	<b>Resolution/Color</b>	Up to 800 x 600 @ 262K	
	<b>Pixel Pitch</b>	0.264 mm x 0.264 mm	
	<b>Viewing Angle</b>	70° (right), 70° (left), 55° (up) and 65° (down)	
	<b>Luminance</b>	230 cd/m²	
	<b>Backlight MTBF</b>	30,000 hours (typical)	
<b>Touch Screen</b>	<b>Type</b>	Analog resistive, continuous resolution	
	<b>Light Transmission</b>	82.5% (typical)	
	<b>Controller</b>	USB interface	
	<b>Durability</b>	1 million touches	
<b>Ethernet</b>	<b>Controller</b>	VIA VT6122 Gigabit Ethernet	
	<b>Interface</b>	Supports 1 x RJ45 connector Supports Wake-on LAN (WOL) Supports Preboot Execution Environment (PXE)	
<b>Audio</b>	<b>Controller</b>	VIA VT1708A High Definition Audio Codec	
	<b>Interface</b>	Supports Line-in, Line-out, Mic-in connectors	
<b>Serial</b>	<b>USB</b>	2 x USB ports, USB 2.0 compliant	
	<b>Serial Ports</b>	3 x COM ports (2 x RS-232 & 1 x RS-422/485) 5V/12V selectable	
<b>Storage</b>	<b>HDD</b>	1 x 2.5" drive bay	
	<b>Compact Flash</b>	1 x Type I socket	
<b>System Indicator</b>	<b>Power Status LED</b>	1 x Orange color LED	
	<b>HDD Activity LED</b>	1 x Blue color LED	
<b>Watch Dog Timer</b>	<b>Output</b>	System reset	
	<b>Interval</b>	Programmable 1 ~ 255 sec	



## Side System I/O



## Bottom System I/O



## Specifications

Part Number		VP-7710-R1E16A1	VP-7710-R1C10A1
System I/O	Bottom I/O Ports	1 x VGA connector 1 x RS-422/485 serial port connector as COM1 2 x RS-232 serial port connectors as COM2 and COM4 1 x 5V/12V selectable switch for COM2 and COM4 3 x Audio jacks of Line-out, Line-in and Mic-in connectors 1 x ATX power on/off button 1 x 2-pole, DC DIN jack power input connector 1 x antenna hole for optional WLAN	
	Side I/O Ports	1 x PS/2 mouse connector, 1 x PS/2 keyboard connector 2 x USB 2.0 connectors, 1 x RJ45 connector	
Power Supply	Power Consumption	Maximum 32 W Typical 24.6 W	Maximum 28 W Typical 22.8 W
	Input Voltage	7 V <sub>DC</sub> ~ 30 V <sub>DC</sub> Typical: 7 V <sub>DC</sub> @ 4.57 A 12 V <sub>DC</sub> @ 2.66 A 16 V <sub>DC</sub> @ 1.93 A 19 V <sub>DC</sub> @ 1.68 A 24 V <sub>DC</sub> @ 1.33 A 30 V <sub>DC</sub> @ 1.1 A	7 V <sub>DC</sub> ~ 30 V <sub>DC</sub> Typical: 7 V <sub>DC</sub> @ 3.25 A 12 V <sub>DC</sub> @ 1.9 A 16 V <sub>DC</sub> @ 1.42 A 19 V <sub>DC</sub> @ 1.2 A 24 V <sub>DC</sub> @ 0.95 A 30 V <sub>DC</sub> @ 0.76 A
	Input Power Protection	Supports over voltage protection Supports over current protection Supports under voltage protection	
	Mechanical	<b>Construction</b> <b>Mounting</b> <b>Dimensions (W x H x D)</b> <b>Weight</b>	Aluminum mixed with heavy-duty steel Panel/Wall/Table/VESA mountable 300.4 mm x 205.9 mm x 55.2 mm (11.82" x 8.1" x 2.17") 3.6 kg (7.9 lbs)
Environmental Specification	Operating Temperature	0°C ~ 45°C	
	Storage Temperature	-20°C ~ 70 °C	
	Relative Humidity	0 ~ 90% @ 45°C, non-condensing	
	Vibration Loading During Operation	When system equipped with Compact Flash Disk only: 5Grms, IEC 60068-2-64, random, 5 ~ 500Hz, 1 Oct./min, 1hr/axis	
	Shock During Operation	When system equipped with 2.5" Hard Disk Driver: 20G, IEC 60068-2-27, half sine, 11ms duration When system equipped with Compact Flash Disk: 50G, IEC 60068-2-27, half sine, 11ms duration	
Software Compatibility	Front Panel Protection	IP65 compliant	
	EMC Approved	CE, FCC Class B	
	Safety Approved	UL	
Software Compatibility	Operation System	Microsoft Widows XP, Windows XP Embedded, Windows CE 6.0	

## Ordering Information

Part Number	CPU Frequency	Description
VP-7710-R1E16A1	1.6 GHz Eden™ ULV	1.6 GHz Eden™ ULV based fanless 10.4" touch panel PC, with VGA, 2 x USB 2.0, 3 x COM, 1 x GigaLAN
VP-7710-R1C10A1	1.0 GHz C7®	1.0 GHz C7® based fanless 10.4" touch panel PC, with VGA, 2 x USB 2.0, 3 x COM, 1 x GigaLAN

## Optional Accessories

### External AC-to-DC Adapter and Power Cable

Part Number	Description
99G63-020065	AC-to-DC adapter, 2-pole, DC 12V/5A, 60 W
99G33-02032C	Power cable, 180 cm, USA type
99G33-02034C	Power cable with PSE mark, 180 cm for Japan
99G33-02033C	Power cable, 180 cm, Europe type
99G33-02031C	Power cable, 180 cm, UK type

### WLAN USB Module

Part Number	Description
EMIO-1530-00A1	802.11 b/g Wireless LAN USB module for USA
EMIO-1530-10A1	802.11 b/g Wireless LAN USB module for Europe

### Embedded OS (Only available for OEM service)

Part Number	Description
POS-MXPELI-ENS00	Windows XP Embedded SP2 Feature Pack 2007 OS image and license for VIPRO VP7710, English version
POS-MCE6LI-ENS00	Windows CE 6.0 Professional OS image and license for VIPRO VP7710 English version

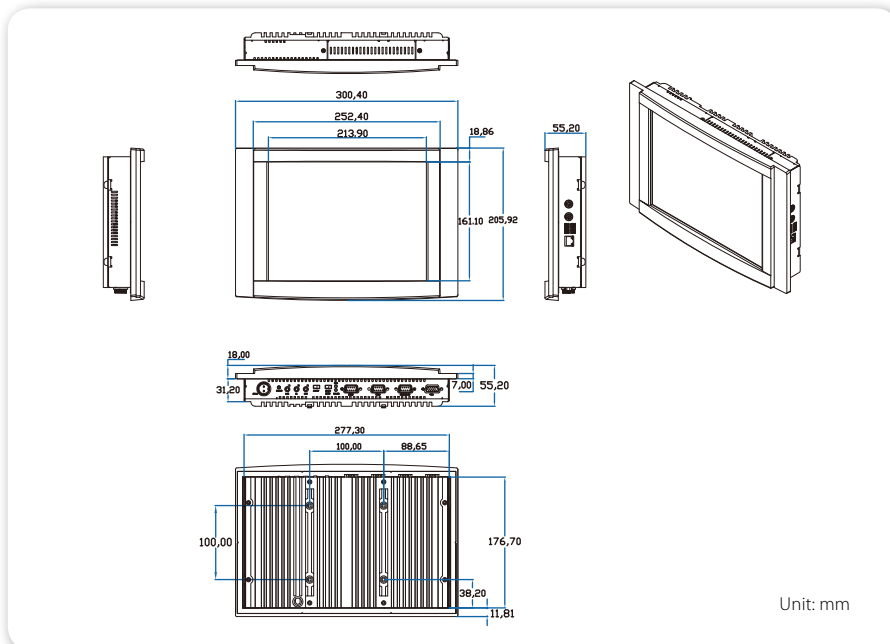
### Mounting Plate

Part Number	Description
99G42-090164	Wall-mount bracket for VIPRO VP7710
99G42-090154	Desktop stand for VIPRO VP7710

### Certificated RAM Module, Flash Disk, and 2.5" Hard Disk Drive

Part Number	Description
99G06-010328	512MB DDR2 667MHz, SDRAM SODIMM, Industrial Grade, 0~85°C, Innodisk
99G06-010338	1GB DDR2 667MHz, SDRAM SODIMM, Industrial Grade 0~85°C
99G61-050093	512MB Embedded Flash Disk DOM, Industrial Grade, -40°C ~ 85°C
99G61-060011	1GB Compact Flash Disk, Industrial Grade, -40°C ~ 85°C
99G61-060021	2GB Compact Flash Disk, Industrial Grade, -40°C ~ 85°C
99G61-060031	4GB Compact Flash Disk, Innodisk, Industrial Grade, -40°C ~ 85°C
99G61-020063	80GB, Seagate 2.5-inch SATA HDD, 5400RPM

## Dimensions



## Packing List

- 1 x VIPRO VP7710 unit
- 1 x Driver Utility CD
- 1 x Power cable, DIN-jack to DC-plug
- 1 x IDE cable
- 1 x SATA data cable
- 1 x Panel mounting plate